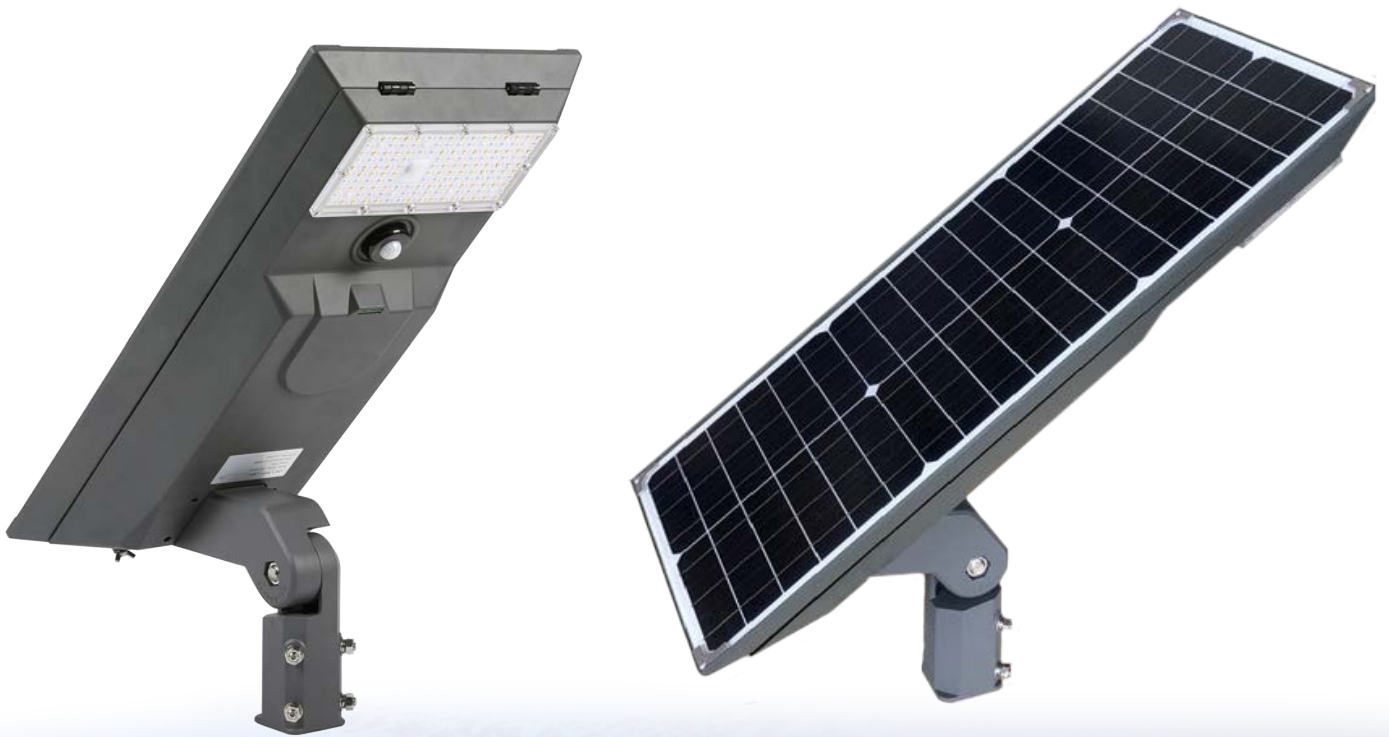




Greenshine



AIO

Cost Effective Solar Lighting Solutions



AIO 30 - General Specifications

Light Fixture (GS-LED-AIO)

Luminaire input voltage	DC 12V
Lumen	3000 lumens
Color temperature IES	3000-4000-5000K
lighting type Material	Type II III
	Die-cast aluminum alloy made all in one housing, integrated with solar panel, battery, LED light source and system charge controller.

Solar Panel (1 unit)

Rating Power	43 W
Maximum Power Voltage	DC 18V
Maximum Power Current	2.39 A
Open Circuit Voltage	DC 21V
Short Circuit Current	2.66 A
Size	2.5" X 1.1"
Weight	29 lb

Battery (1 unit)

Battery type	Lithium battery
Operating voltage	DC 12 V
Capacity	24Ah with 65°C temperature control
Dimensions	2(L)×0.5(W) (in)
Expected life	5 ~ 7 years

Solar Charger

Operating Voltage	DC 12V
Max. charge/ load current	10A
Night/day detection	YES
IP class	IP65
Motion activated function	YES

Pole

Height	20 ft.
Diameter	5" at the bottom, 3 3/4" at the top, 2 3/8" pole top tenon
Thickness	5/32"
Material	Galvanized steel
Finishing	Powder coating



Greenshine

ENJOY COST EFFECTIVE NATURAL ENERGY

Specifications

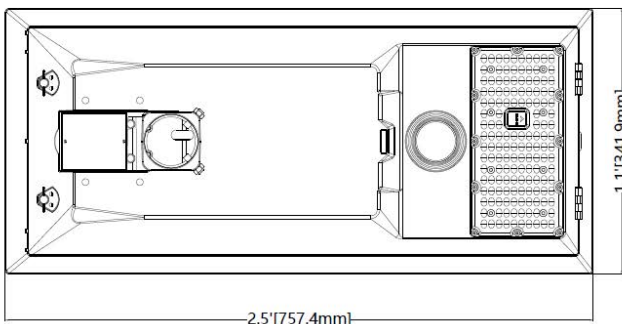
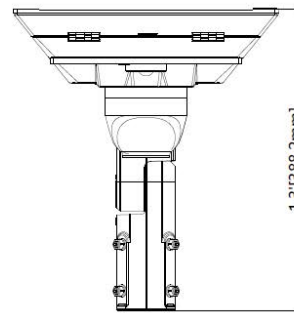
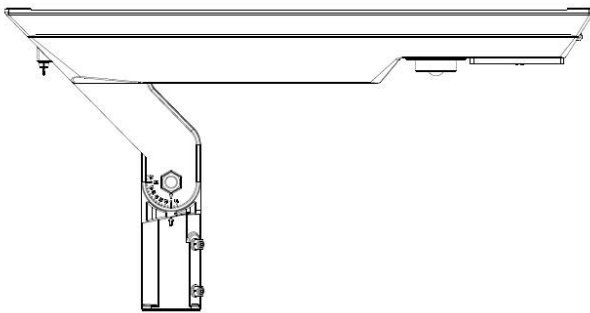
Luminaire input voltage	DC 12V
Lumen output	3000 lumens
LED type	CREE XPG
Color temperature	3000-4000-5000K
IES lighting type	Type II III
Material	High pressure die-cast aluminum
Lens	5mm toughened glass, optical grade
IP class	PMMA IP 65
Insulation	Class I
Operating temperature	-30°C ~+50°C/ -22°F ~+122°F
CRI	≥70

6 hours full bright (3000 lumens) and then it dims to 1000 lumens and when motion is activated it turns up to 3000 again for 1 minute. This is the standard setting for areas with more than 5+ peak sun hours per day in December.

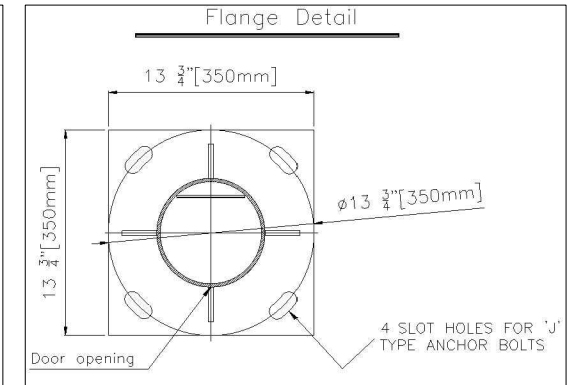
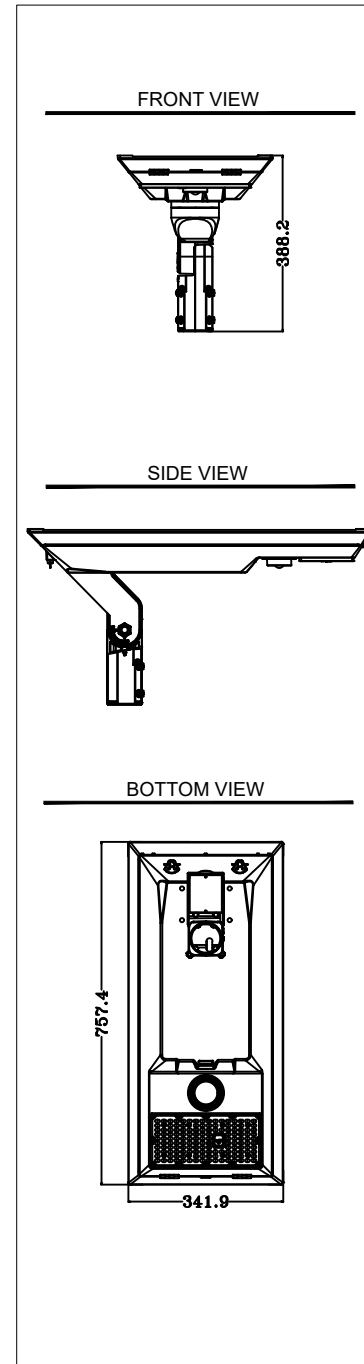
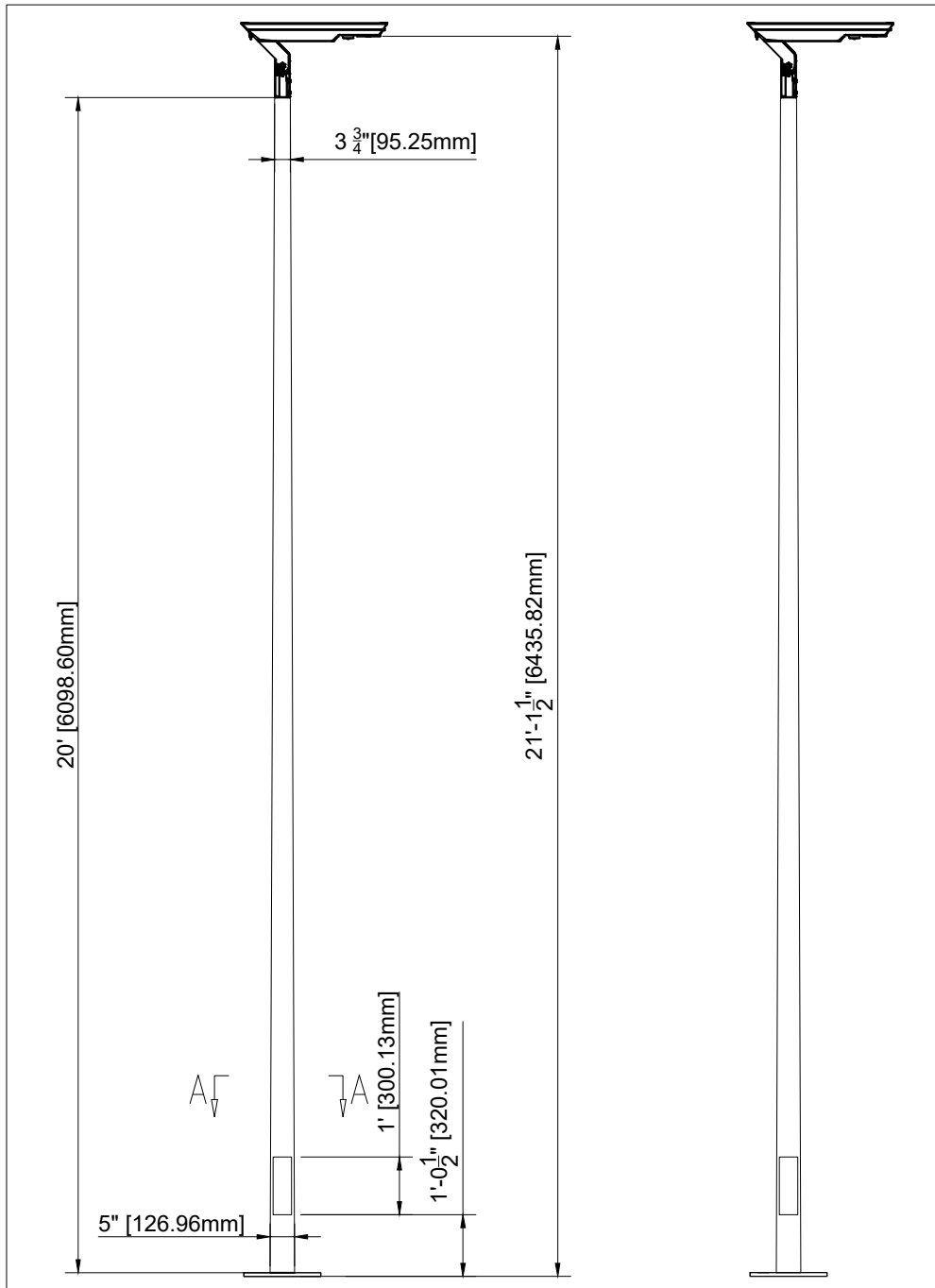
Weight

8.3 kg/ 18.3 lb.

Dimensions




** Contact us for more details and options*



- Foundation dimensions shall be confirmed by a local engineering company, Greenshine New energy will not be held liable for any defect of the concrete foundation due to improper sizing.
- Drawings are based using hot-dipped galvanized steel, powder coating with a thickness of ¹/₃₂".
- *EPA of the system exclude the EPA of the pole, includes the solar panels, brackets, arm and LED fixture and battery box.
- **Wind resistance of the poles are indicative and further customization can be provided.

Tilt angle of the solar panels	15	30	45	60
EPA (ft ²)*	6.68	9.31	11.57	13.3
Wind resistance** (mph)	150	150	150	150

Proposal			
System	AIO - 20' POLE		
By	Luis Jimenez	Date	7/22/2019
www.streetlights-solar.com			